

2.Product information:

Product name : Medical face mask with earloops, TYPE II



2.1

2.2

Applied standards: EN 14683:2019

Device description:

Non sterile disposable face mask with earloop, Type II

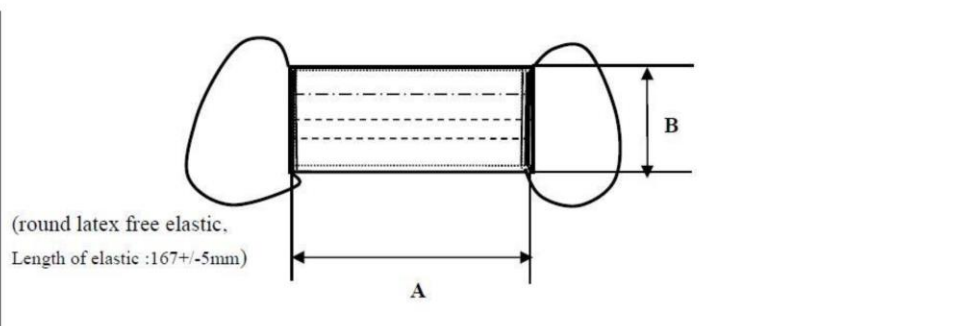
Composition

Composition	Color	weight	Raw material
Outlayer	Blue	25g/m ² ± 1g/m ²	polypropylene
Filter layer melt blown	white	25g/m ² ± 1g/m ²	polypropylene
Inner layer	white	25g/m ² ± 1g/m ²	polypropylene
Elastic loops	white	N/A	Polyamide + polyurethane
Nose bar	white and aluminium	N/A	flexible plastic piece laminated with aluminium wire

2.3

Latex Free

Mask form :



Dimensions :

A : 17.5 cm +/- 0.5 cm

B :9 cm +/- 0.5 cm

